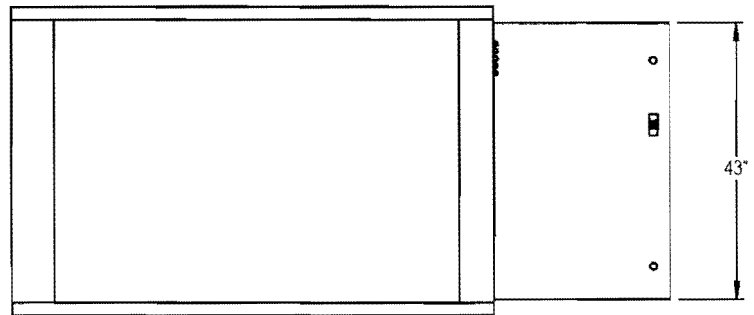
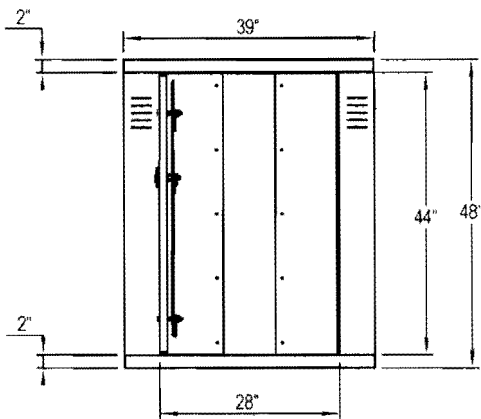
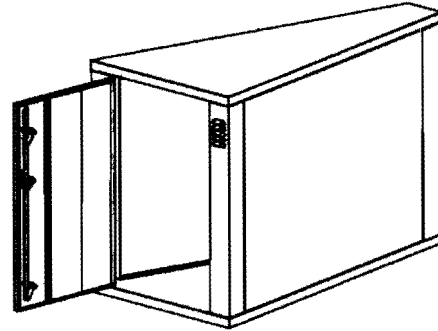
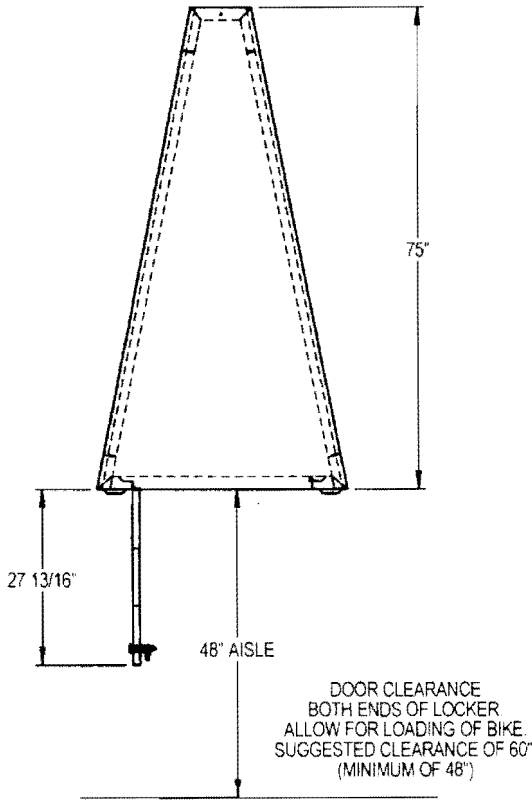




HANNAN SPECIALTIES, INC.  
 4019 LEOS LANE, UNIT #3  
 CARMICHAEL, CA 95608  
 P(800) 722-2453, P(916) 488-7026, F(916) 488-7256  
 WWW.DURALOCKER.COM, E-MAIL: HANNANSP@PACBELL.NET



PRODUCT: DLP100-1  
 DESCRIPTION: PIE SHAPED DURA LOCKER® BIKE LOCKER  
 1 UNIT -1 DOOR, 1 BIKE CAPACITY  
 DATE: 8-11-07  
 ENG: TLG

- CHECK LOCKING STYLE
- STAINLESS STEEL PADLOCK STYLE HANDLE (PADLOCK NOT INCLUDED)
- HEAVY DUTY 4266 POP-OUT "T" HANDLE WITH 2 USER KEYS (KEYED DIFFERENTLY)

- OTHER AVAILABLE OPTIONS:
- PERFORATED WALLS AND DOORS
  - GEAR HOOKS
  - NUMBER PLATES
  - GRAFFITI RESISTANT ADDITIONAL COATING

CONFIDENTIAL DRAWING AND INFORMATION IS NOT TO BE COPIED OR DISCLOSED TO OTHERS WITHOUT THE CONSENT OF HANNAN SPECIALTIES, INC. SPECIFICATIONS ARE SUBJECT TO CHANGE WITHOUT NOTICE.

- NOTES:
1. INSTALL BIKE LOCKERS ACCORDING TO MANUFACTURER'S SPECIFICATIONS.
  2. CONSULTANT TO SELECT COLOR(FINISH), SEE MANUFACTURER'S SPECIFICATIONS.
  3. SEE SITE PLAN FOR LOCATION OR CONSULT OWNER.

©2007 HANNAN SPECIALTIES, INC. ALL PROPRIETARY RIGHTS RESERVED.